



# Instrumentation Products

Flange Adaptors



# Flange Adaptors

## Product description

Piping and Instrumentation are linked by the AS-Schneider Flange Adaptors. The compact design eliminates the need for additional connections.

## Features

### Connection 1 (Flange connection)

- ASME B16.5 flange connection  
Flange size 1/2" to 3"  
Flange Class 150 to 2.500
- EN 1092-1 flange connection from  
DN15 to DN80 and from PN10 to PN100

### Connection 2

- Compression fitting DIN 2353
- Threaded
- Twin ferrule compression fitting

### Materials

- ASME flanges A105 or 316/316L
- EN flanges 1.0460 or 1.4571

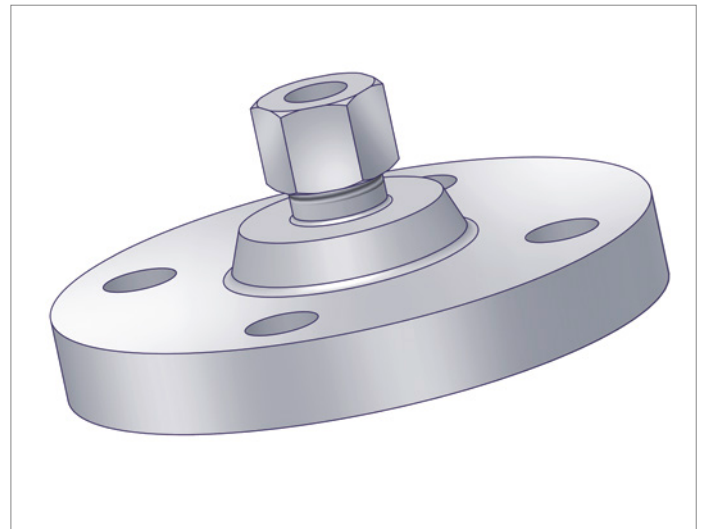
### Optional Features

- NACE MR0175/ISO 15156  
compliant materials
- Cleaned and degreased for oxygen service
- Certificates according EN 10204

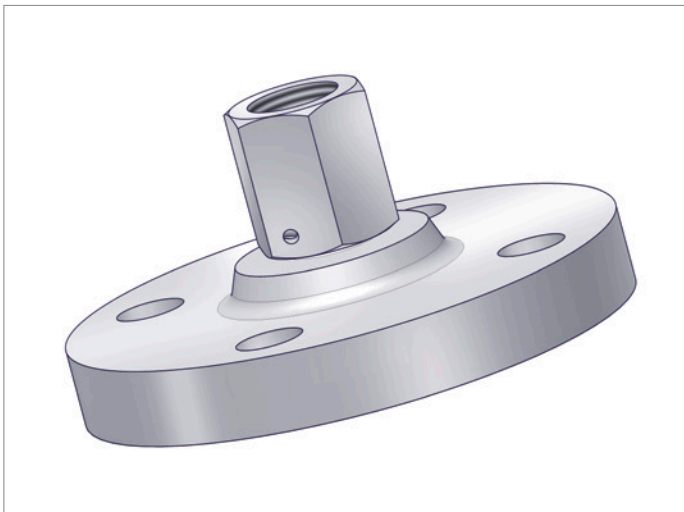
If you don't find your option please contact us.



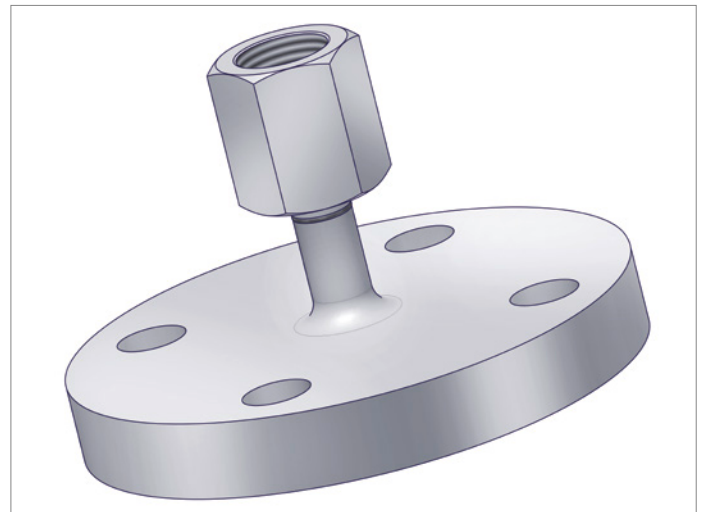
FAB-QLDLN4-P



FAN-QLDG14-P



FAN-QLDLGQ-P



FAN-QLDLGD-P

# Flange Adaptors | Ordering Information

## Ordering Information | Flange Adaptor

		1	2	3	4	5	6	7	8	9	10	11	12	13	14
		F	A	N	-	N	A	A	G	1	4	-	C		
<b>Flange Adaptor *</b>															
<b>Flange type</b>															
N	Flange, ASME														
Q	Flange, EN														
<b>Connection 1 (Flange connection)</b>															
<b>ASME Flange</b>		<b>EN Flange</b>													
A	1/2" RF	DN15 B1													
D	3/4" RF	DN15 C (tongue)													
F	3/4" RTJ	DN20 B1													
G	1" RF														
L		DN25 B1													
N	2" RF	DN25 B2													
P		DN25 C (tongue)													
Q	2" RTJ	DN25 D (groove)													
U	3" RF														
W	3" RTJ	DN50 B1													
Z		DN80 B1													
<b>ASME Flange</b>		<b>EN Flange</b>													
A	Class 150	PN 16 (only applicable to ≥ DN50)													
B	Class 300														
C	Class 600	PN 40													
D	Class 900	PN 63 (only applicable to ≥ DN50)													
E	Class 1500	PN 100													
F	Class 2500	PN 160													
G															
<b>Connection 2</b>															
G14	Compression fitting DIN2353 12S														
G15	Compression fitting DIN2353 14S														
LGB	Swivel nut G 1/4 (welded)														
LGD	Swivel nut G 1/2 (welded)														
LGN	Swivel nut G 1/4														
LGQ	Swivel nut G 1/2														
LN4	Female thread 1/2NPT (positions 1-3 change to FAB) Twin ferrule compression fitting on request														
<b>Material</b>															
<b>ASME Flange</b>		<b>EN Flange</b>													
C	A105	1.0460													
P		1.4571													
S	316L														
<b>Optional Features</b>															
B	Oxygen service														
N	NACE MR0175 / ISO 15156														

\* Type FAB – see Option Connection 2 – LN4



Armaturenfabrik Franz Schneider GmbH + Co.KG reserves the right to change materials, specifications or designs without notice.

# YOUR GLOBAL PARTNER

for Instrumentation and  
Double Block & Bleed Valves



Visit us on:



ARMATURENFABRIK FRANZ SCHNEIDER GMBH + CO. KG  
World Headquarters  
Bahnhofplatz 12, 74226 Nordheim, Germany  
Tel: +49 7133 101-0  
[www.as-schneider.com](http://www.as-schneider.com)



ARMATURENFABRIK FRANZ SCHNEIDER SRL  
Gradinari 32-38, 100404 Ploiesti  
Romania  
Tel: +40 244 384 963  
[www.as-schneider.ro](http://www.as-schneider.ro)



AS-SCHNEIDER ASIA-PACIFIC PTE. LTD.  
970 Toa Payoh North, #02-12/14/15, Singapore 318992,  
Singapore  
Tel: +65 62 51 39 00  
[www.as-schneider.sg](http://www.as-schneider.sg)



AS-SCHNEIDER AMERICA, INC.  
17471 Village Green Dr, Houston, TX 77040  
United States of America  
Tel: +1 281 760 1025  
[www.as-schneider.com](http://www.as-schneider.com)



AS-SCHNEIDER MIDDLE EAST FZE  
P.O. Box 18749, Dubai  
United Arab Emirates  
Tel: +971 4 880 85 75  
[www.as-schneider.ae](http://www.as-schneider.ae)



AS-2801-EN | February 2021